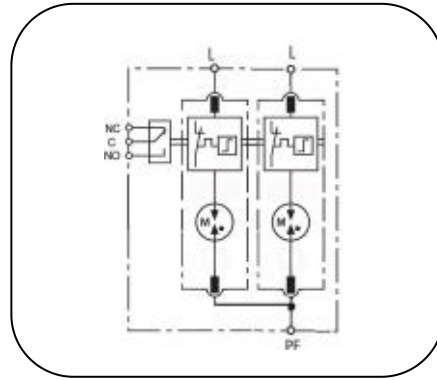
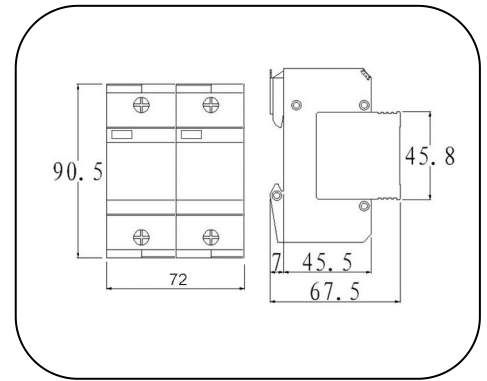


Surge Arresters- Class I+II

G35P...



Basic circuit diagram



Dimension drawing

The G35P is class I & class II combined (or B+C) and designed for low-voltage power system lightning current & surge protection, especially for location of high risk exposure or LPZ 0-2 building entrances (IEC 62305-4) to against the damage from direct or close lightning strikes.

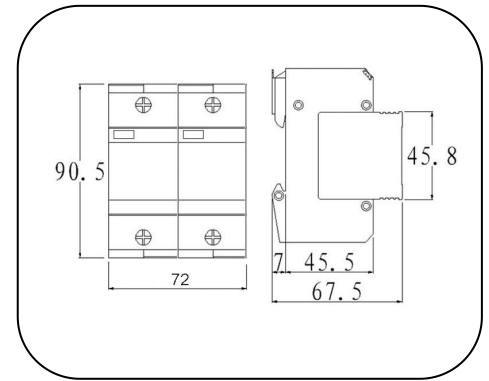
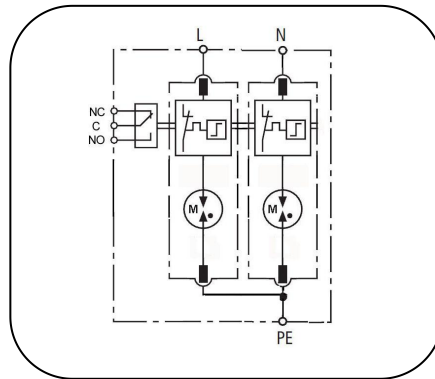
With built in PROSURGE Encapsulated TSG (Trigger Spark-Gap) technology, G35P ensures remarkable lightning current discharge capacity up to 35 kA 10/350 and follow current limiting & extinguishing.

- Comply with IEC/EN 61643-11/UL1449 4th standard.
- Encapsulated spark gap technology to guarantee reliability in rugged environment
- Lightning current capacity Iimp 35kA 10/350
- Low voltage protection level due to TSG tech.
- With remote signaling contact and failure indicator optional.
- Pluggable module for easy replacement.

Part No.	G35P/175-S/2SP	
In accordance with	EN/IEC61643-11	
Category (IEC/EN)	Class I+ II / T1+2	
Max. continuous operating voltage (V)	AC/DC)	175/225
Nominal discharge current(8/20)	In	35kA
Max. discharge current(8/20)	I _{max}	120kA
Lightning impulse current (10/350)	I _{imp}	35kA
Voltage protection level	@1.2/50	<1.4kV
Response time		≤100 ns
short-circuit current rating (I _{sc}) & follow current interrupt rating (I _f)		25kArms
Backup fuse(only required if not already provided in mains)		315A gL/gG
Operating temperature range		- 40°C ~ + 80°C
Cross-section of connection wire		Single-strand 35mm ² ; multi-strand 25mm ²
Mounting		35mm DIN-rail in accordance with EN 50022/DIN46277-3
Enclosure material		thermoplastic; extinguishing degree UL94 V-0
Degree of protection		IP20
Installation width		4 modules, DIN 43880
Thermal disconnecter		Internal red - failure
Remote alarm contact		Yes
Approvals, Certifications		CE
Additional data for Remote Alarm Contacts		
Remote alarm contact type		Isolated Form C
Switching capability Un/I _n	AC: 250V/0.5A	DC: 250V/0.1A; 125V/0.2A; 75V/0.5A
Max. Size of connecting wire		Max. 1.5mm ² (or # 16AWG)

Surge Arresters- Class I+II

G35P...



Basic circuit diagram

Dimension drawing

The G35P is class I & class II combined (or B+C) and designed for low-voltage power system lightning current & surge protection, especially for location of high risk exposure or LPZ 0-2 building entrances (IEC 62305-4) to against the damage from direct or close lightning strikes.

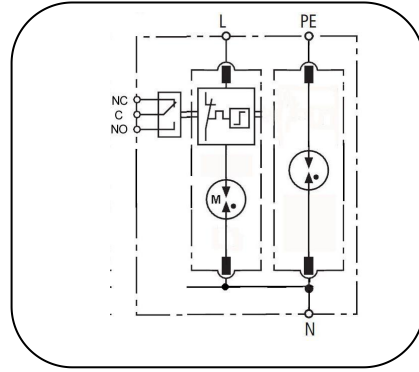
With built in PROSURGE Encapsulated TSG (Trigger Spark-Gap) technology, G35P ensures remarkable lightning current discharge capacity up to 35 kA 10/350 and follow current limiting &extinguishing.

- Comply with IEC/EN 61643-11/UL1449 4th standard.
- Encapsulated spark gap technology to guarantee reliability in rugged environment
- Lightning current capacity limp 35kA 10/350
- Low voltage protection level due to TSG tech.
- With remote signaling contact and failure indicator optional.
- Pluggable module for easy replacement.

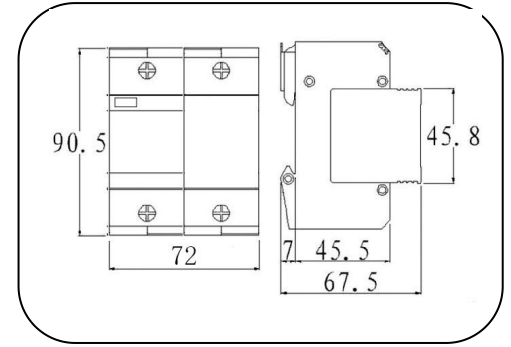
Part No.	G35P/320-S/2P		
In accordance with	EN/IEC61643-11		
Category (IEC/EN)	Class I+ II / T1+2		
Max. continuous operating voltage (V)	(AC/DC)	320/420	
Nominal discharge current(8/20)	In	35kA	
Max. discharge current(8/20)	I _{max}	120kA	
Lightning impulse current (10/350)	I _{imp}	35kA	
Voltage protection level	@1.2/50	<2.0kV	
Response time	≤100 ns		
short-circuit current rating (I _{scrr}) & follow current interrupt rating (I _{fi})	25kArms		
Backup fuse(only required if not already provided in mains)	315A gL/gG		
Operating temperature range	- 40°C ~ + 80°C		
Cross-section of connection wire	Single-strand 35mm ² ; multi-strand 25mm ²		
Mounting	35mm DIN-rail in accordance with EN 50022/DIN46277-3		
Enclosure material	thermoplastic; extinguishing degree UL94 V-0		
Degree of protection	IP20		
Installation width	4 modules, DIN 43880		
Thermal disconnecter	Internal red - failure		
Remote alarm contact	Yes		
Approvals, Certifications	CE		
Additional data for Remote Alarm Contacts			
Remote alarm contact type	Isolated Form C		
Switching capability Un/In	AC: 250V/0.5A	DC: 250V/0.1A; 125V/0.2A; 75V/0.5A	
Max. Size of connecting wire	Max. 1.5mm ² (or # 16AWG)		

Surge Arresters- Class I+II

G35P...



Basic circuit diagram

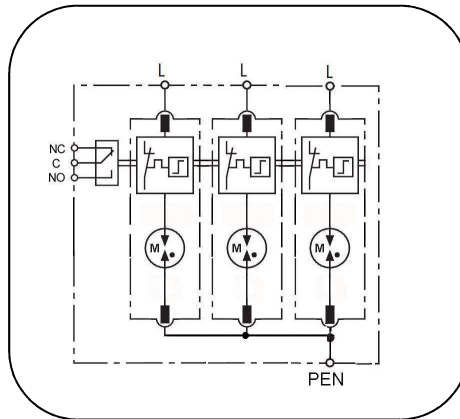


Dimension drawing

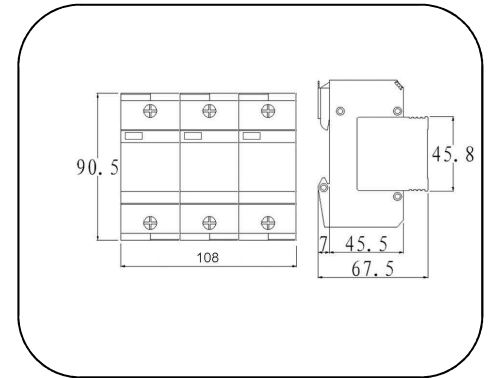
The G35P series is class I & class II combined (or B+C) and 2 poles pre-wired SPD designed for low-voltage power system lightning current & surge protection, especially for location of high risk exposure or LPZ 0-2 building entrances (IEC 62305-4) to against the damage from direct or close lightning strikes.

- Comply with IEC/EN 61643-11/UL1449 4th standard.
- Encapsulated spark gap technology to guarantee reliability in rugged environment
- Lightning current capacity limp 35kA 10/350 (L-N) and 50kA 10/350(N-PE).
- Low voltage protection level due to TSG tech.
- ith remote signaling contact and failure indicator optional and Pluggable module for easy replacement.

Part No.	G35P/320-S/PN50	
In accordance with	EN/11;IEC61643-11	
Category (IEC/EN)	Class I+ II / T1+2	
Max. continuous operating voltage (V)	L – N (AC/DC)	320 /420
	N-PE AC	255
Nominal discharge current(8/20) In	L-N	35kA
	N-PE	50kA
Max. discharge current(8/20) Imax	L-N	120kA
	N-PE	150kA
Lightning impulse current (10/350) Iimp	L-N	35kA
	N-PE	50kA
Voltage protection level	L-N(1.2/50)	<2.0kV
	N-PE (1.2/50)	<1.5kV
Response time	L-N	≤100 ns
	N-PE	≤100 ns
short-circuit current rating (Iscrr) & follow current interrupt rating (Ifi)	L-N	25kA
	N-PE	Ifi =100Arms @ 255Vac
Backup fuse(only required if not already provided in mains)	315A gL/gG	
Operating temperature range	- 40°C ~ + 80°C	
Cross-section of connection wire	Single-strand 35mm ² ; multi-strand 25mm ²	
Mounting	35mm DIN-rail in accordance with EN 50022/DIN46277-3	
Enclosure material	thermoplastic; extinguishing degree UL94 V-0	
Degree of protection	IP20	
Installation width	4 modules, DIN 43880	
Thermal disconnecter	Internal red - failure	
Remote alarm contact	Yes	
Approvals, Certifications	CE	
Additional data for Remote Alarm Contacts		
Remote alarm contact type	Isolated Form C	
Switching capability Un/In	AC: 250V/0.5A	DC: 250V/0.1A; 125V/0.2A; 75V/0.5A
Max. Size of connecting wire	Max. 1.5mm ² (or # 16AWG)	

Surge Arresters- Class I+II
G35P...


Basic circuit diagram



Dimension drawing

The G35P is class I & class II combined (or B+C) and designed for low-voltage power system lightning current & surge protection, especially for location of high risk exposure or LPZ 0-2 building entrances (IEC 62305-4) to against the damage from direct or close lightning strikes.

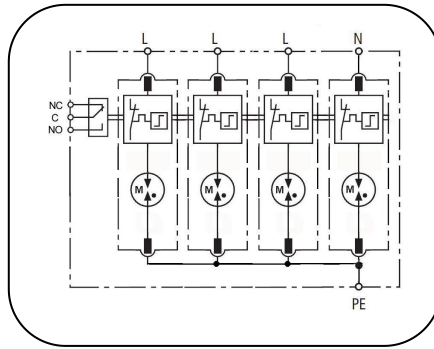
With built in PROSURGE Encapsulated TSG (Trigger Spark-Gap) technology, G35P ensures remarkable lightning current discharge capacity up to 35 kA 10/350 and follow current limiting & extinguishing.

- Comply with IEC/EN 61643-11/UL1449 4th standard.
- Encapsulated spark gap technology to guarantee reliability in rugged environment
- Lightning current capacity I_{imp} 35kA 10/350
- Low voltage protection level due to TSG tech.
- With remote signaling contact and failure indicator optional.
- Pluggable module for easy replacement.
- Ideal protection for environments with frequent switching operations or lightning strikes.
- Long service life.

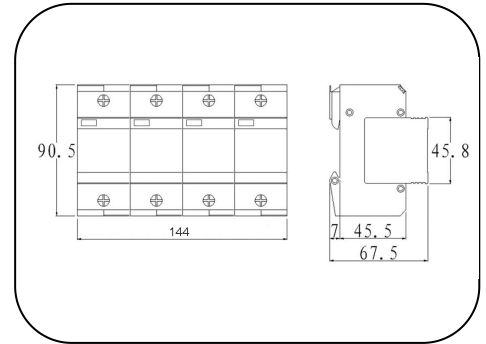
Part No.		G35P/320-S/3P
In accordance with		EN/IEC61643-11
Category (IEC/EN)		Class I+ II / T1+2
Max. continuous operating voltage (V)	(AC/DC)	320/420
Nominal discharge current(8/20)	I_n	35kA
Max. discharge current(8/20)	I_{max}	120kA
Lightning impulse current (10/350)	I_{imp}	35kA
Voltage protection level	@1.2/50	<2.0kV
Response time	L-PE	≤100 ns
short-circuit current rating (I_{scrr}) & follow current interruption (IFI)		25kArms
Backup fuse(only required if not already provided in mains)		315A gL/gG
Operating temperature range		- 40°C ~ + 80°C
Cross-section of connection wire		Single-strand 35mm ² ; multi-strand 25mm ²
Mounting		35mm DIN-rail in accordance with EN 50022/DIN46277-3
Enclosure material		thermoplastic; extinguishing degree UL94 V-0
Degree of protection		IP20
Installation width		6 modules, DIN 43880
Thermal disconnect		Internal red - failure
Remote alarm contact		Yes
Approvals, Certifications		CE
Additional data for Remote Alarm Contacts		
Remote alarm contact type		Isolated Form C
Switching capability Un/In		AC: 250V/0.5A DC: 250V/0.1A; 125V/0.2A; 75V/0.5A
Max. Size of connecting wire		Max. 1.5mm ² (or # 16AWG)

Surge Arresters- Class I+II

G35P...



Basic circuit diagram



Dimension drawing

The G35P series is class I & class II combined (or B+C) and designed for low-voltage power system lightning current & surge protection, especially for location of high risk exposure or LPZ 0-2 building entrances (IEC 62305-4) to against the damage from direct or close lightning strikes.

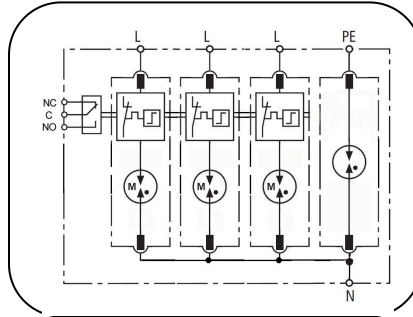
With built in PROSURGE Encapsulated TSG (Trigger Spark-Gap) technology, G35P ensures remarkable lightning current discharge capacity up to 35 kA 10/350 and follow current limiting &extinguishing.

- Comply with IEC/EN 61643-11/UL1449 4th standard.
- Encapsulated spark gap technology to guarantee reliability in rugged environment
- Lightning current capacity limp 35kA 10/350
- Low voltage protection level due to TSG tech.
- With remote signaling contact and failure indicator optional.
- Pluggable module for easy replacement.
- Ideal protection for environments with frequent switching operations or lightning strikes.

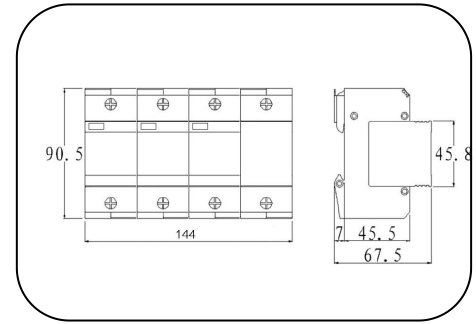
Part No.		G35P/320-S/4P
In accordance with		EN/11;IEC61643-11
Category (IEC/EN)		Class I+ II / T1+2
Max. continuous operating voltage (V)	(AC/DC)	320 /420
Nominal discharge current(8/20)	In	35kA
Max. discharge current(8/20)	Imax	120kA
Lightning impulse current (10/350)	Iimp	35kA
Voltage protection level	@1.2/50	<2.0kV
Response time		≤100 ns
short-circuit current rating (Iscrr) & follow current interrupt rating (Ifi)		25kA
Backup fuse(only required if not already provided in mains)		315A gL/gG
Operating temperature range		- 40°C ~ + 80°C
Cross-section of connection wire		Single-strand 35mm ² ; multi-strand 25mm ²
Mounting		35mm DIN-rail in accordance with EN 50022/DIN46277-3
Enclosure material		thermoplastic; extinguishing degree UL94 V-0
Degree of protection		IP20
Installation width		8 modules, DIN 43880
Thermal disconnecter		Internal red - failure
Remote alarm contact		Yes
Approvals, Certifications		CE
Additional data for Remote Alarm Contacts		
Remote alarm contact type		Isolated Form C
Switching capability Un/In		AC: 250V/0.5A DC: 250V/0.1A; 125V/0.2A; 75V/0.5A
Max. Size of connecting wire		Max. 1.5mm ² (or # 16AWG)

Surge Arresters- Class I+II

G35P...



Basic circuit diagram



Dimension drawing

The G35P series is class I & class II combined (or B+C) and 4 poles pre-wired SPD designed for low-voltage power system lightning current & surge protection, especially for location of high risk exposure or LPZ 0-2 building entrances (IEC 62305-4) to against the damage from direct or close lightning strikes.

- Comply with IEC/EN 61643-11/UL1449 4th standard.
- Encapsulated spark gap technology to guarantee reliability in rugged environment
- Lightning current capacity limp 35kA 10/350 (L-N) and 100kA 10/350(N-PE).
- Low voltage protection level due to TSG tech.
- With remote signaling contact and failure indicator optional.
- Pluggable module for easy replacement.

Part No.		G35P/320-S/3PN100
In accordance with		EN/IEC61643-11
Category (IEC/EN)		Class I+ II / T1+2
Max. continuous operating voltage (V)	L – N (AC/DC)	320/420
	N–PE AC	255
Nominal discharge current(8/20) In	L–N	35kA
	N-PE	100kA
Max. discharge current(8/20) I _{max}	L-N	120kA
	N-PE	200kA
Lightning impulse current (10/350) I _{imp}	L-N	35kA
	N-PE	100kA
Voltage protection level	L-N(1.2/50)	<2.0kV
	N–PE 1.2/50)	<1.5kV
Response time	L-N	≤100 ns
	N-PE	≤100 ns
short-circuit current rating (I _{scrr}) & follow current interrupt rating (I _{fi})	L-N	25kA
	N-PE	I _{fi} =100Arms @ 255Vac
Backup fuse(only required if not already provided in mains)		315A gL/gG
Operating temperature range		- 40°C ~ + 80°C
Cross-section of connection wire		Single-strand 35mm ² ; multi-strand 25mm ²
Mounting		35mm DIN-rail in accordance with EN 50022/DIN46277-3
Enclosure material		thermoplastic; extinguishing degree UL94 V-0
Degree of protection		IP20
Installation width		8 modules, DIN 43880
Thermal disconnecter		Internal red - failure
Remote alarm contact		Yes
Approvals, Certifications		CE
Additional data for Remote Alarm Contacts		
Remote alarm contact type		Isolated Form C
Switching capability Un/In		AC: 250V/0.5A DC: 250V/0.1A; 125V/0.2A; 75V/0.5A
Max. Size of connecting wire		Max. 1.5mm ² (or # 16AWG)